

1 2 3 4 5 6 7 8 9 10

G

F

E

D

C

B

A

G

F

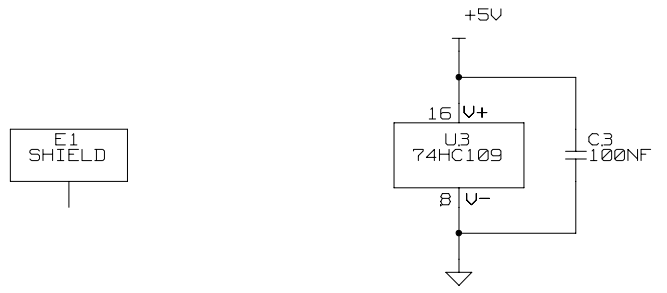
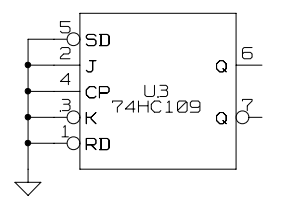
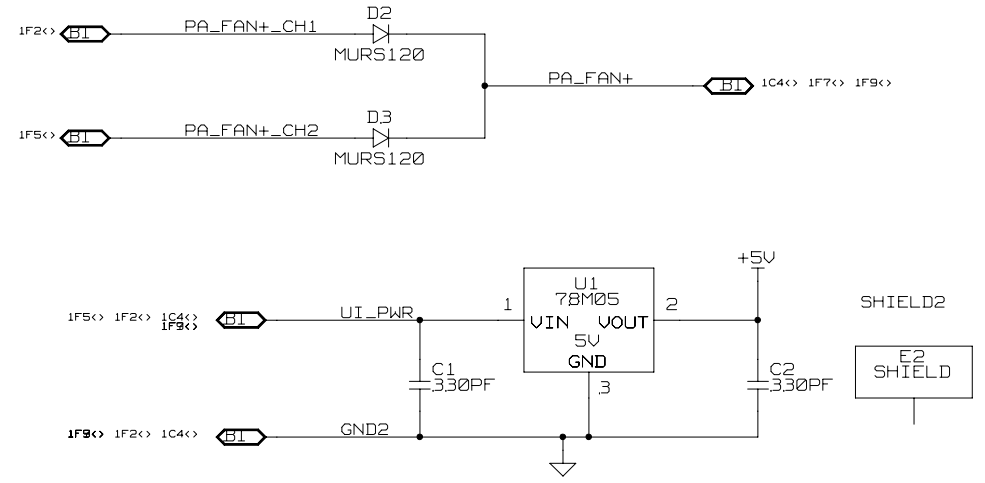
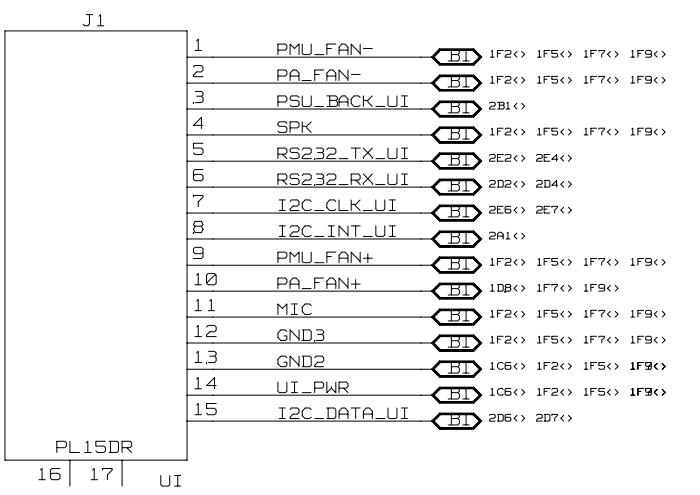
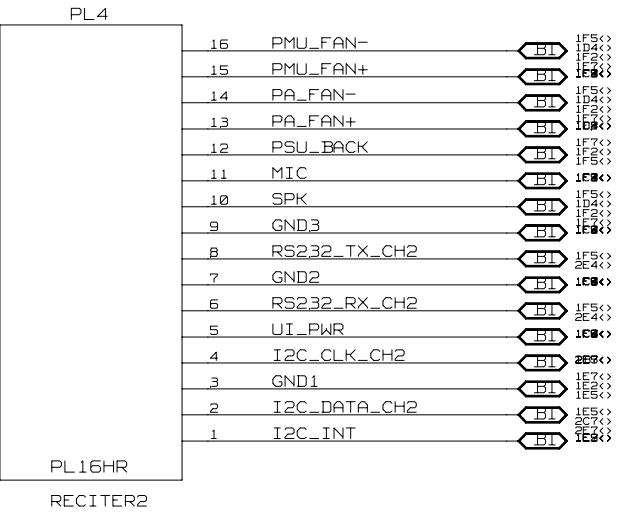
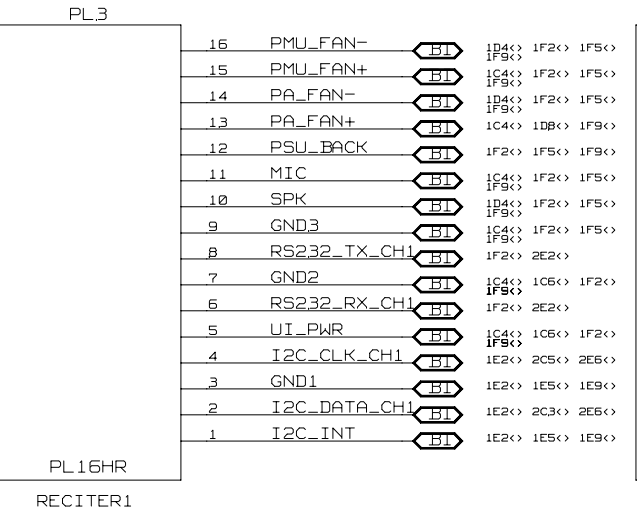
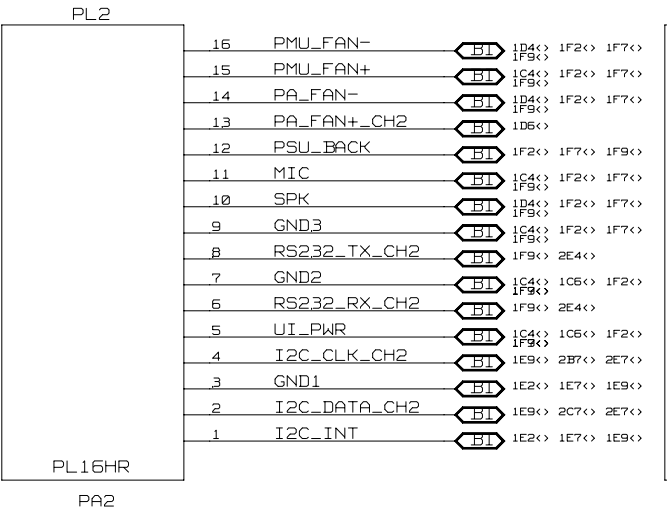
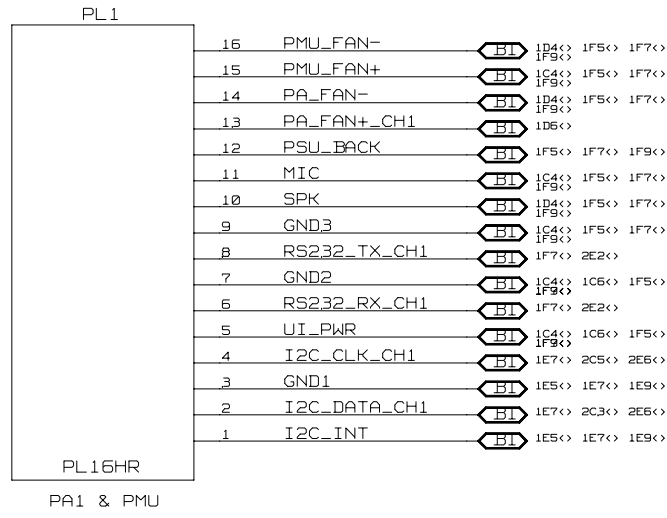
E

D

C

B

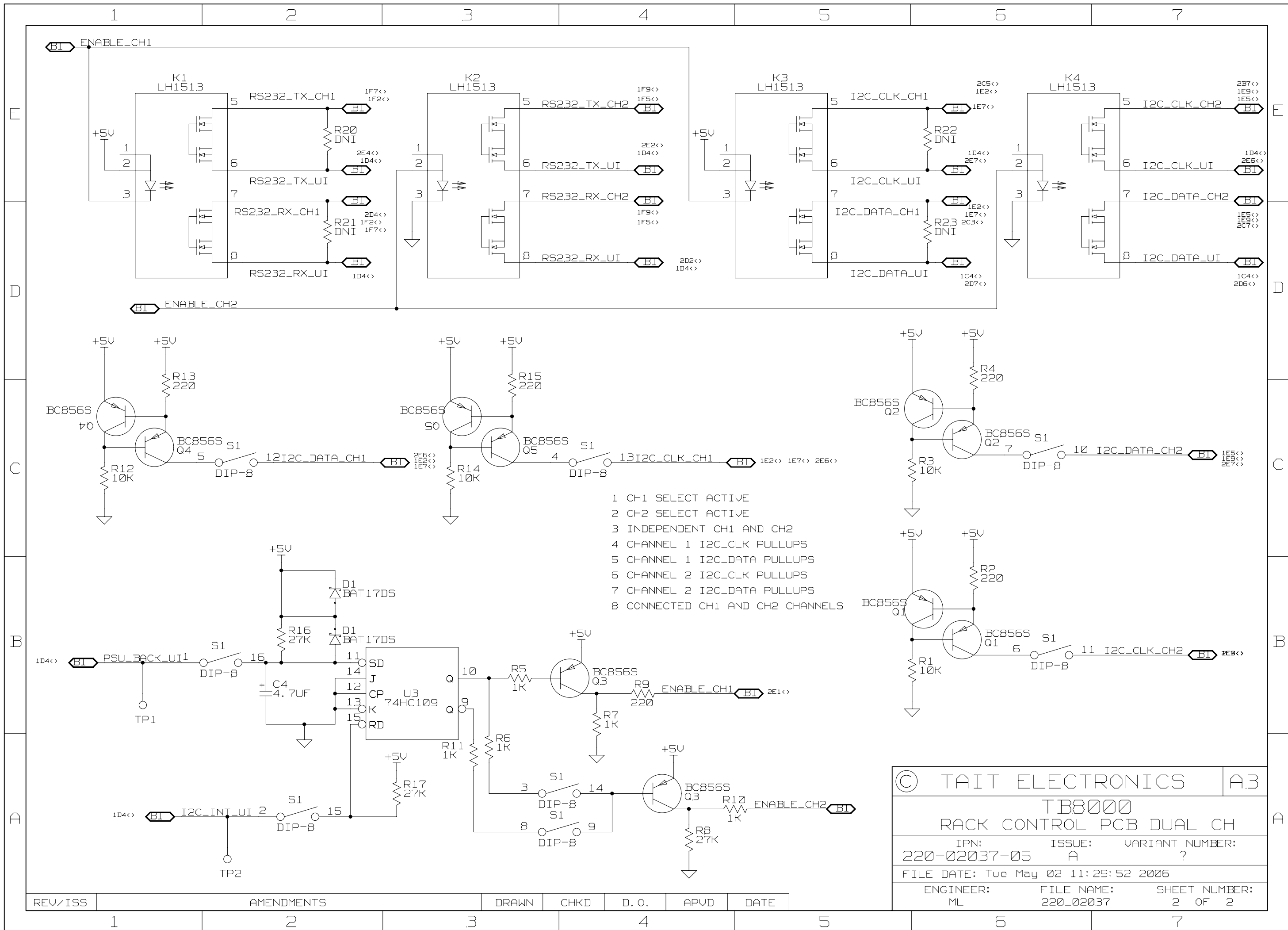
A



05A	ECO 1012007B7	CJK	CK	G SMITH	04MAY06
04A	ECO ??????	TB	CK	?	24-01-05
02A	PROTOTYPE ONLY	ML	CK	?	25-10-04
02A	DCO 02037-002	ML	CK	?	25-08-03
01	NEW BOARD				
REV/ISS	AMENDMENTS	DRAWN	CHKD	D. O.	APVD
					DATE

© TAIT ELECTRONICS		A2
TB8000		
RACK CONTROL PCB DUAL CH		
IPN:	ISSUE:	VARIANT NUMBER:
220-02037-05	A	?
FILE DATE: Thu May 04 11:55:20 2006		
ENGINEER:	FILE NAME:	SHEET NUMBER:
ML	220_02037	1 OF 2

1 2 3 4 5 6 7 8 9 10



- 1 CH1 SELECT ACTIVE
- 2 CH2 SELECT ACTIVE
- 3 INDEPENDENT CH1 AND CH2
- 4 CHANNEL 1 I2C_CLK PULLUPS
- 5 CHANNEL 1 I2C_DATA PULLUPS
- 6 CHANNEL 2 I2C_CLK PULLUPS
- 7 CHANNEL 2 I2C_DATA PULLUPS
- 8 CONNECTED CH1 AND CH2 CHANNELS

© TAIT ELECTRONICS		A3
TB8000		
RACK CONTROL PCB DUAL CH		
IPN: 220-02037-05	ISSUE: A	VARIANT NUMBER: ?
FILE DATE: Tue May 02 11:29:52 2006		
ENGINEER: ML	FILE NAME: 220_02037	SHEET NUMBER: 2 OF 2

REV/ISS	AMENDMENTS	DRAWN	CHKD	D. O.	APVD	DATE
1	2	3	4	5	6	7